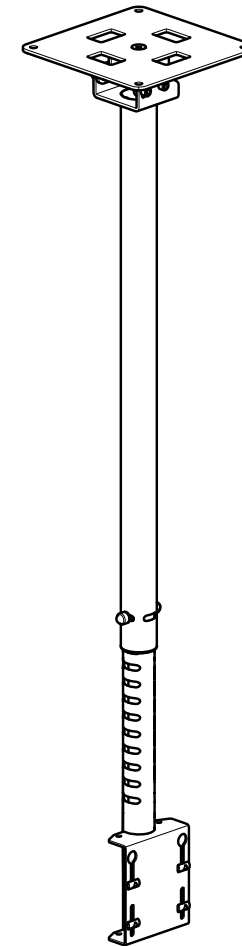


Installation Guide

SPDS2100 + SPDS2116

Telescopic ceiling pole





CAUTION

This product must be installed by a professional installer. It is recommended that more than one person are involved in the installation of this product.

This product is design to be ceiling mounted. Before installing please verify that the ceiling can bear the combined weight of the solution and hardware.

Do not exceed the stated weight limits.

The maximum weight limit on this product is 150 kg per ceiling pole.

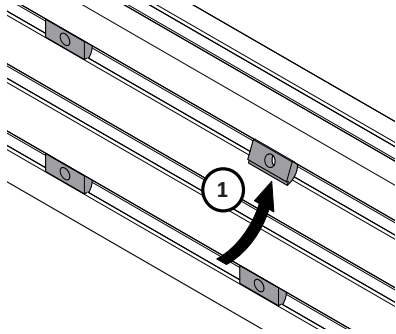
It is the responsibility of the installer to use the correct ceiling fixings for the specific installation location. Standard fixings for wooden material and fixings for concrete material are supplied as part of the product, but they will not be suitable for all types of ceilings.

This product is intended for indoor use only.

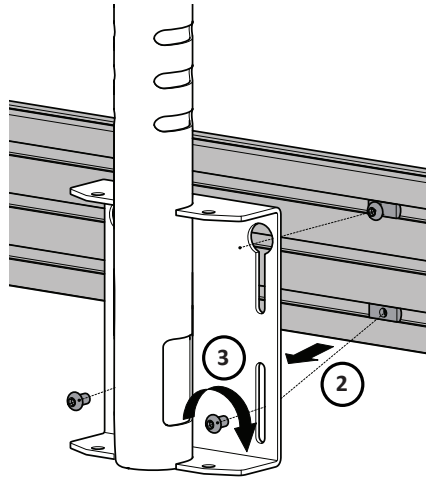
If these installation instructions are not followed precisely, it could lead to product failure and potential personal injury.

Ergonomic Solutions cannot be held responsible for any failure or injury, if the installation instructions are not followed correctly.

6 Rail mounting



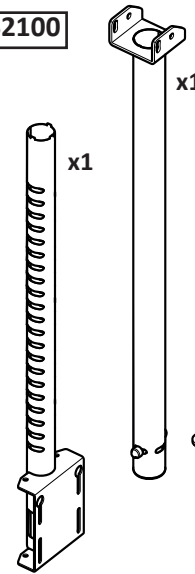
- 1 Fix swivel in nuts to rail x4
- 2 Fix top screws in to swivel in nuts and slide rail onto the pole
- 3 Secure top screws and fix bottom screws



Use nuts and screws from
SPDS2116

Box content

SPDS2100

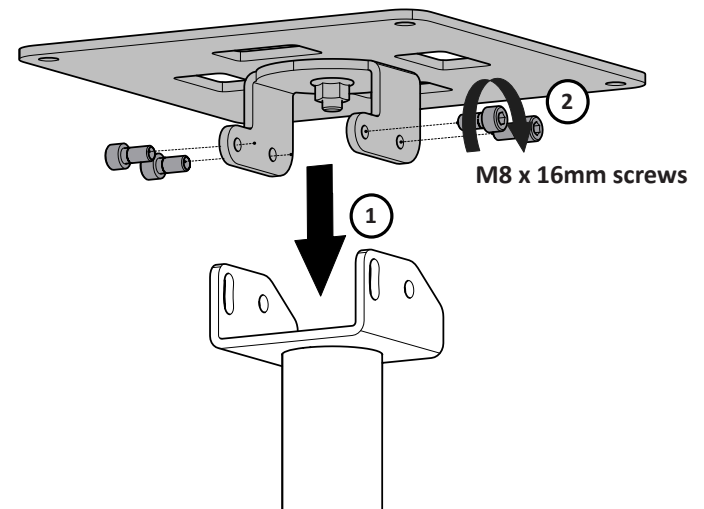


- x4 M8 x 60mm screws
- x4 M10 x 50mm wall plug
- x4 M8 x 16mm screws
- x4 M4 x 12mm screws
- x4 M8 washer
- x4 M4 washer
- x1 M10 flange nut

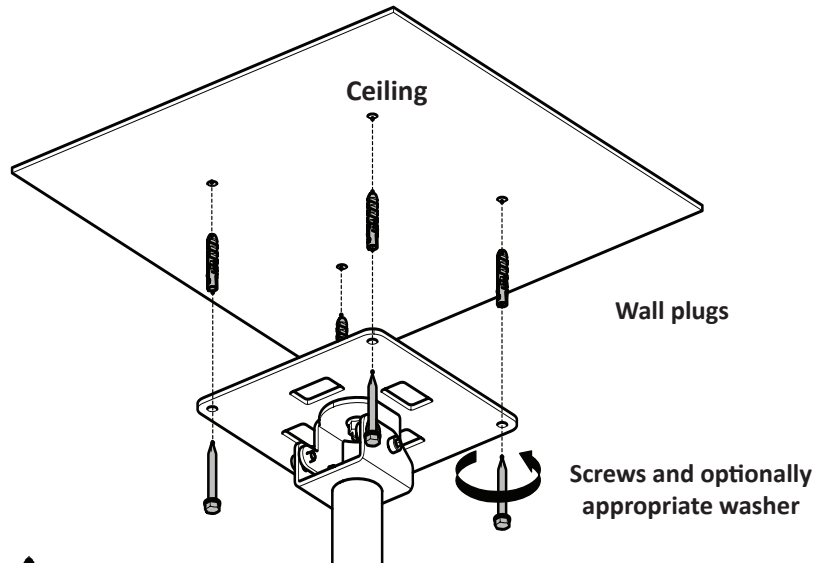
SPDS2116

- x4 M6 swivel in nut
- x4 M6 x 10mm screws

1 Assemble ceiling mount and pole

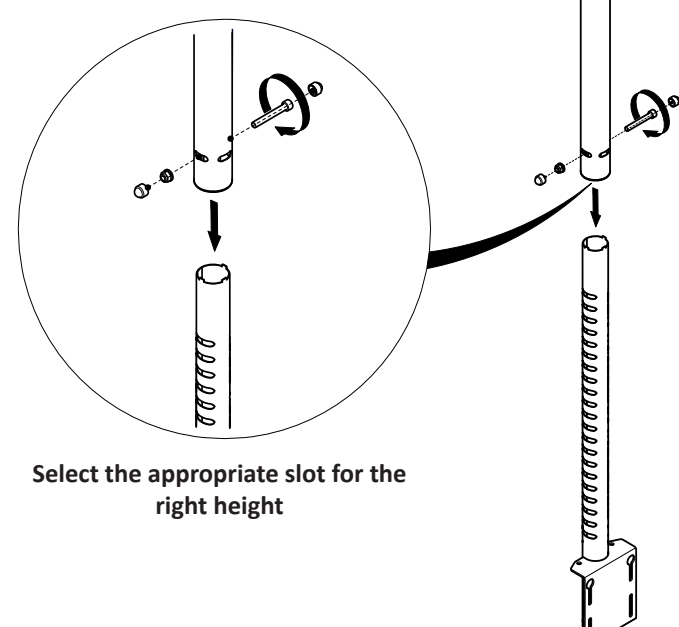


2 Ceiling mount

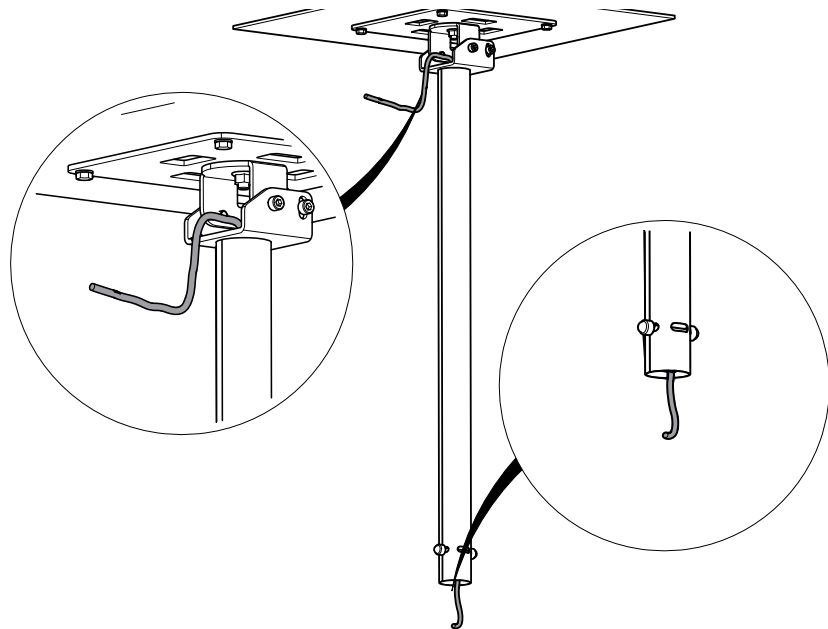


! **WARNING:** Ensure that appropriate ceiling fixings are used

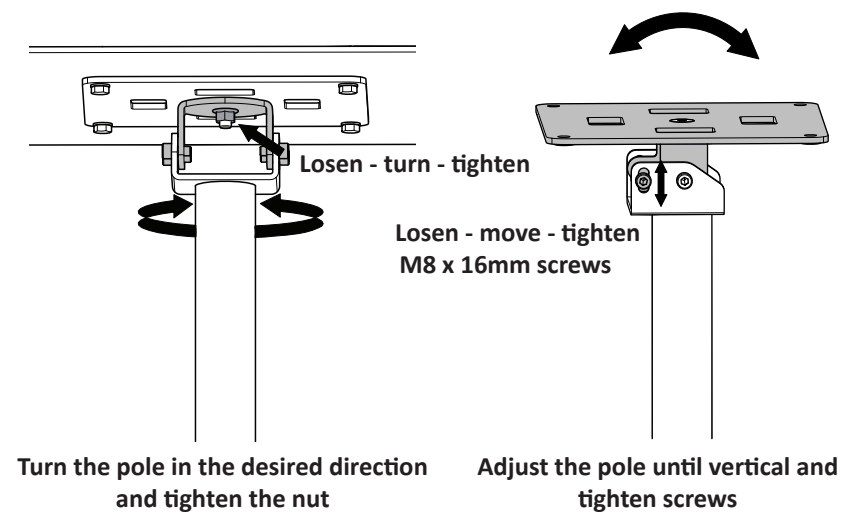
4 Pole assembly



3 Route cables



5 Adjust the pole



! **Ensure that the pole is vertical**